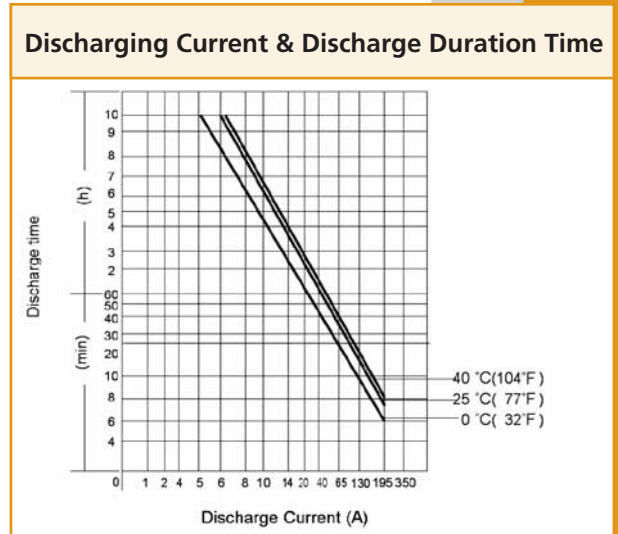
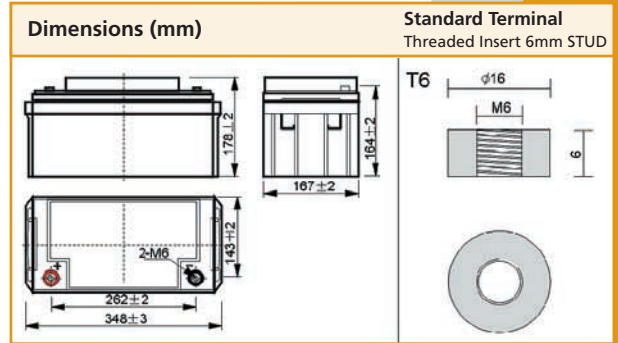
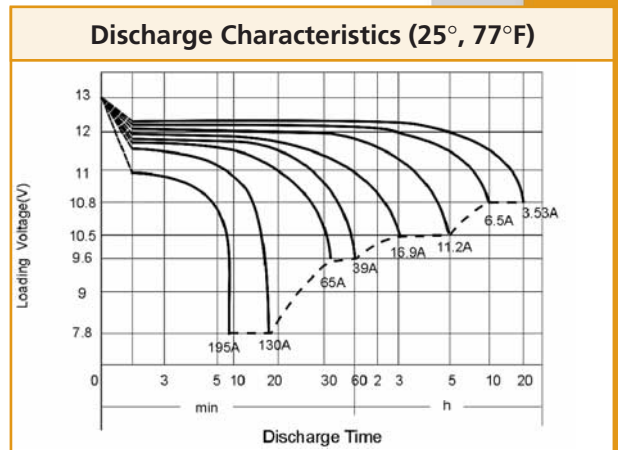




CTL 70-12



Physical Specification		
Nominal Voltage		12V
Nominal Capacity (10HR)		65AH
Dimension	Length	348±3mm (13.70 inches)
	Width	167±2mm (6.57 inches)
	Container Height	178±2mm (7.01 inches)
	Total Height (with Cover)	178±2mm (7.01 inches)
Weight		Approx 22.2kg (48.98lbs)
Standard Terminal		Threaded Insert 6mm STUD



Electrical Specification					
Rated Capacity	20 hour rate (3.53 A)	70.6AH	Constant Voltage Charge	Cycle	Initial Charging Current less than 19.5A. Voltage 14.4V~ 15.0V at 25°C (77°F) Temp Coefficient -30mV/°C
	10 hour rate (6.5 A)	65AH			
	5 hour rate (11.2 A)	56AH			
	3 hour rate (16.9A)	50.7AH			
Capacity affected by Temperature	40°C (104°F)	103%	Standby	No limit on Initial Charging Current Voltage 13.5V~13.8V at 25°C(77°F) Temp. Coefficient - 20mV/°C	
	25°C (77°F)	100%			
	0°C (32°F)	86%			

Constant Current (Amp) and Constant Power (Watt) Discharge Table (25°, 77°F)															
Amp/Watt/Cell	Time(minute)	10	15	20	30	45	60	120	180	240	300	360	480	600	1200
	Final voltage	1.3	1.3	1.3	1.6	1.6	1.67	1.7	1.75	1.75	1.75	1.75	1.8	1.8	1.8
A		162.5	123.5	97.5	74.8	52.0	39.0	22.8	16.9	13.0	11.2	9.9	7.7	6.5	3.53
W		305.5	234.0	191.1	141.1	103.4	77.2	45.2	33.7	25.9	22.3	19.8	15.5	13.0	7.00