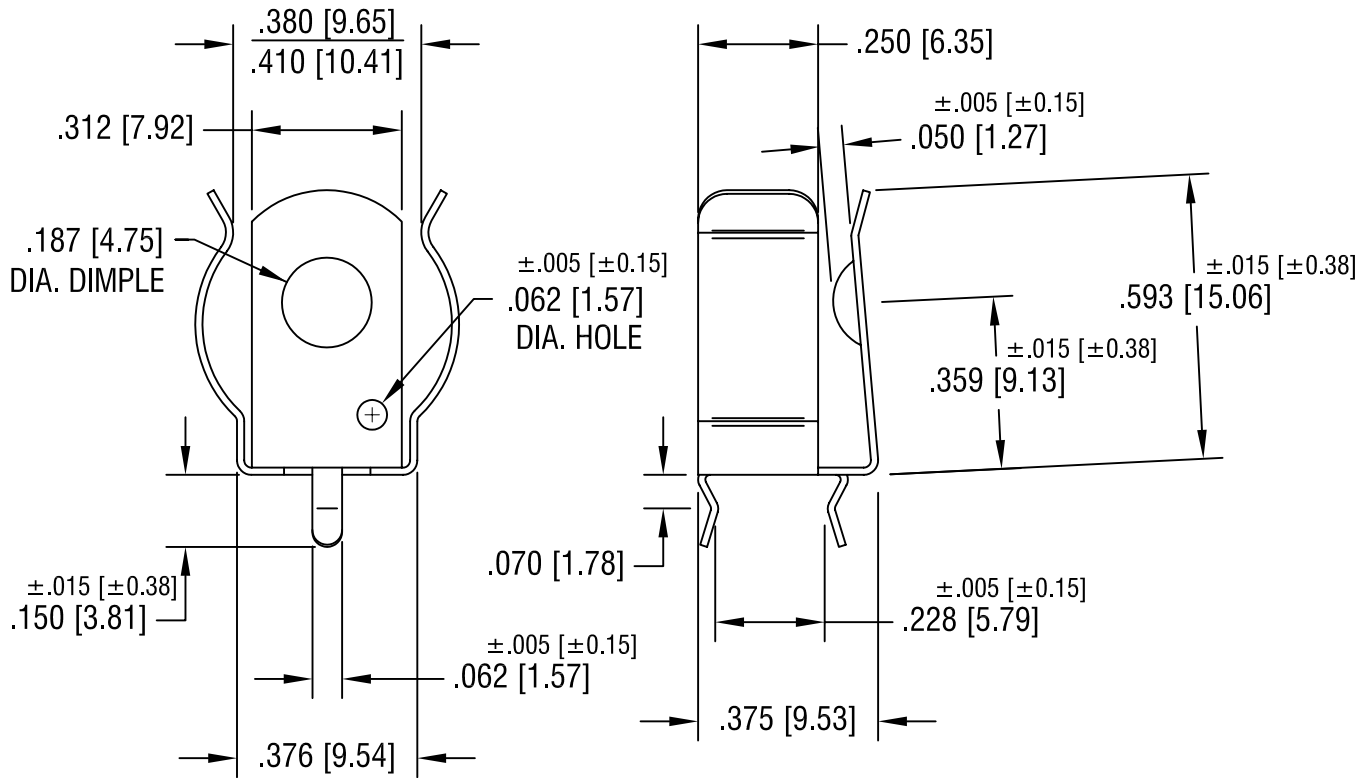
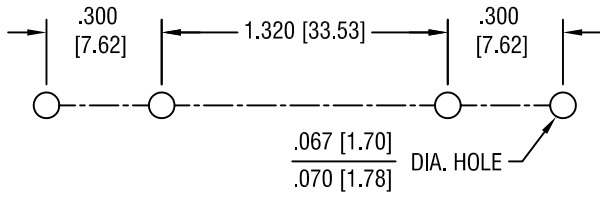


THIS DOCUMENT IS THE PROPERTY OF KEYSTONE ELECTRONICS CORP. AND SHALL NOT BE REPRODUCED, DISTRIBUTED OR USED AS A BASIS FOR MANUFACTURE WITHOUT PRIOR WRITTEN PERMISSION FROM KEYSTONE ELECTRONICS CORP.

REQUIRED SPACING FOR 'AA' CLIP



NOTE:

1. HEAT TREAT TO SPRING TEMPER.

**KEYSTONE ELECTRONICS CORP.**

ASTORIA, N.Y. 11105-2017

PART NAME				'A'-AA' PC BATTERY CLIP			
MATERIAL				.015 [.38] TH'K ANNEALED SPRING STEEL			
FINISH		DRN BY		DATE		SCALE	
TIN NICKEL PLATE		BOONE		4.3.01		2.5X	
APP'D		LN		DWG NO.			
				2915			
TOLERANCES		INCH [MM]		CODE		UNLESS OTHERWISE SPECIFIED	
DECIMAL		±.010 [±0.25]		C			
ANGULAR		± 1°					

6.19.06	CHANGE AS PER ECN 06-039	B
DATE	DESCRIPTION	REV.