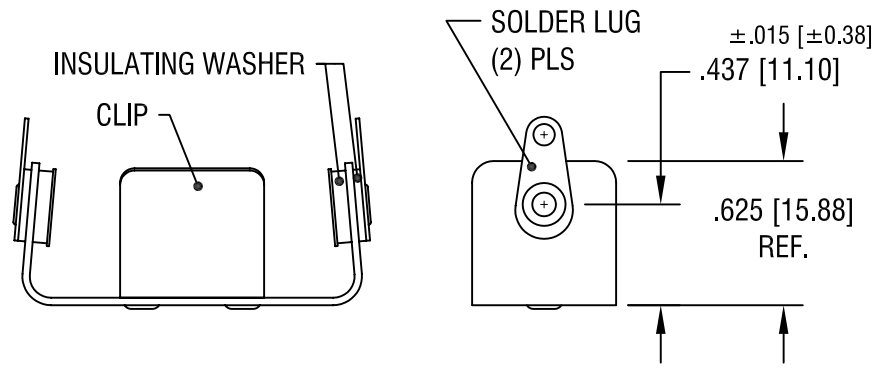
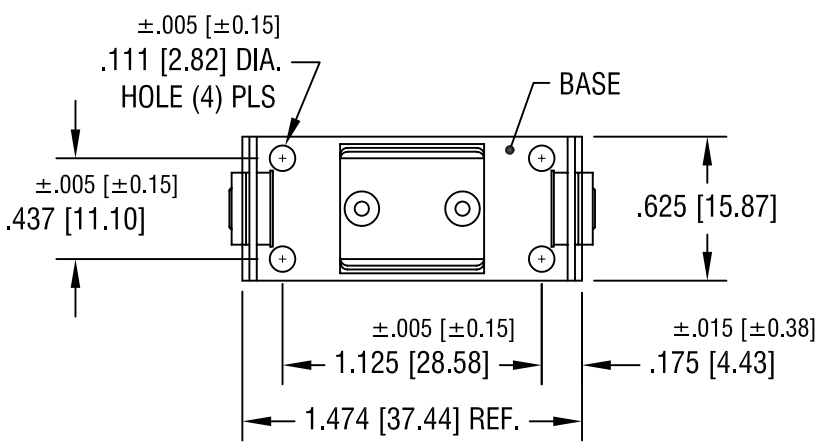
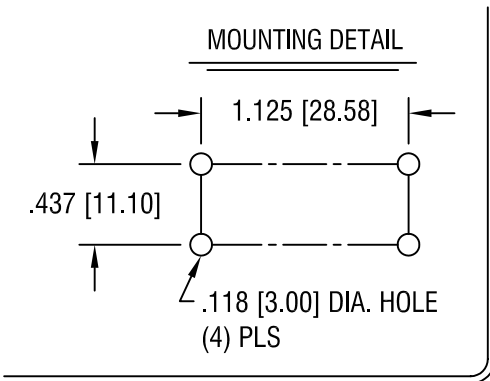


THIS DOCUMENT IS THE PROPERTY OF KEYSTONE ELECTRONICS CORP. AND SHALL NOT BE REPRODUCED, DISTRIBUTED OR USED AS A BASIS FOR MANUFACTURE WITHOUT PRIOR WRITTEN PERMISSION FROM KEYSTONE ELECTRONICS CORP.



- NOTES:
 1. BASE: MAT'L - .032 [.81] TH'K ALUMINUM
 CLIP: MAT'L - .020 [.50] TH'K ALUMINUM
 SOLDER LUG: MAT'L - BRASS
 FINISH - TIN PLATE

KEYSTONE ELECTRONICS CORP.			
ASTORIA, N.Y. 11105-2017			
PART NAME		BATTERY HOLDER, '2/3 A'	
MATERIAL		AS NOTED	
FINISH	AS NOTED	DRN BY	BOONE
		APP'D	LN
		DATE	12.11.81
		SCALE	1.2X
TOLERANCES	INCH [MM]	CODE	DWG NO.
DECIMAL	± .010 [± 0.25]	C/M	132
ANGULAR	± 1°		
UNLESS OTHERWISE SPECIFIED			

3.12.07	CHANGE AS PER ECN 07-012	C
DATE	DESCRIPTION	REV.