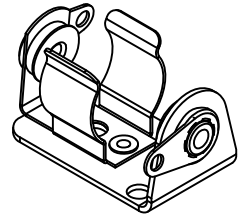
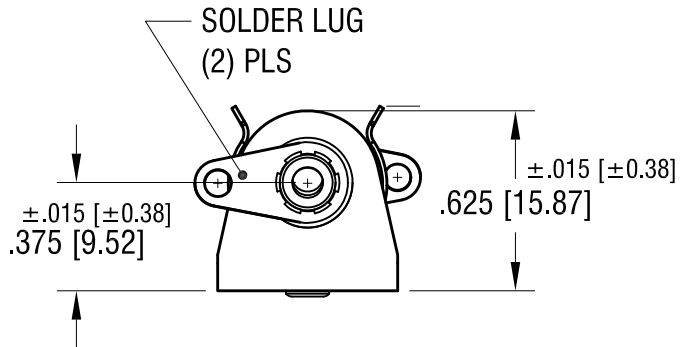
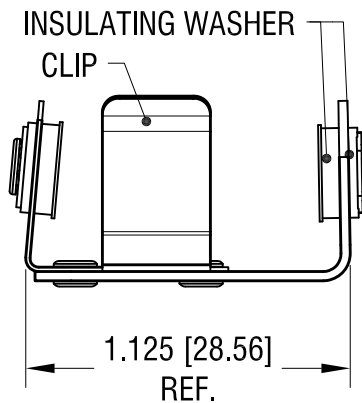
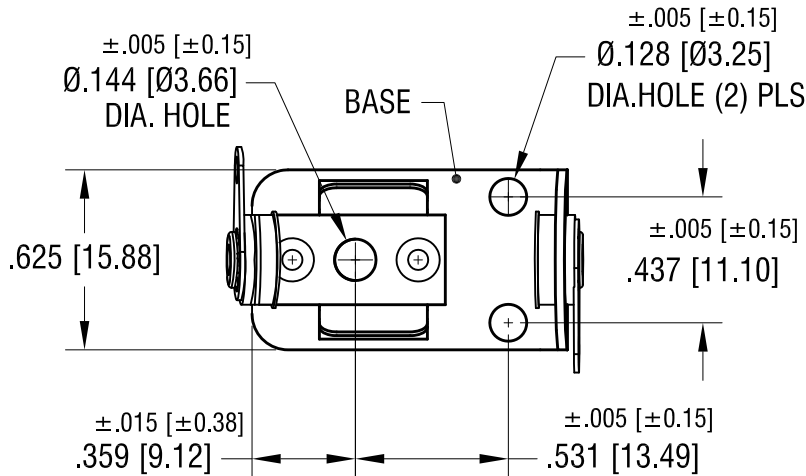
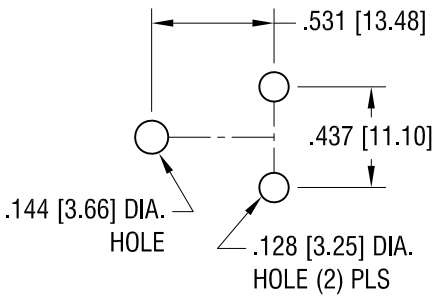


THIS DOCUMENT IS THE PROPERTY OF KEYSTONE ELECTRONICS CORP. AND SHALL NOT BE REPRODUCED, DISTRIBUTED OR USED AS A BASIS FOR MANUFACTURE WITHOUT PRIOR WRITTEN PERMISSION FROM KEYSTONE ELECTRONICS CORP.

**ACTUAL SIZE**



**MOUNTING DETAIL**



**NOTES:**

- 1. BASE: MAT'L - .032 [.81] TH'K STEEL  
FINISH - NICKEL PLATE
- CLIP: MAT'L - .015 [.38] TH'K STEEL  
FINISH - NICKEL PLATE
- TERMINAL LUG: MAT'L - .016 [.41] TH'K BRASS  
FINISH - TIN PLATE

**KEYSTONE ELECTRONICS CORP.**

www.keyelco.com • ASTORIA, N.Y. 11105-2017 • Tel (718) 956-8900

|                                   |                 |        |         |
|-----------------------------------|-----------------|--------|---------|
| PART NAME                         |                 |        |         |
| INSULATED BATTERY HOLDER, '1/2AA' |                 |        |         |
| MATERIAL                          |                 |        |         |
| AS NOTED                          |                 |        |         |
| FINISH                            |                 | DRN BY | DATE    |
| AS NOTED                          |                 | BOONE  | 6.4.07  |
|                                   |                 | APP'D  | SCALE   |
|                                   |                 | LN     | 1.5X    |
| TOLERANCES                        | INCH [MM]       | CODE   | DWG NO. |
| DECIMAL                           | ± .010 [± 0.25] | C      | 1103    |
| ANGULAR                           | ± 1°            |        |         |
| UNLESS OTHERWISE SPECIFIED        |                 |        |         |

|          |                          |      |
|----------|--------------------------|------|
| 12.10.13 | CHANGE AS PER ECN 13-112 | B    |
| 7.20.10  | CHANGE AS PER ECN 10-055 | A    |
| DATE     | DESCRIPTION              | REV. |