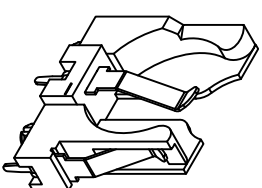
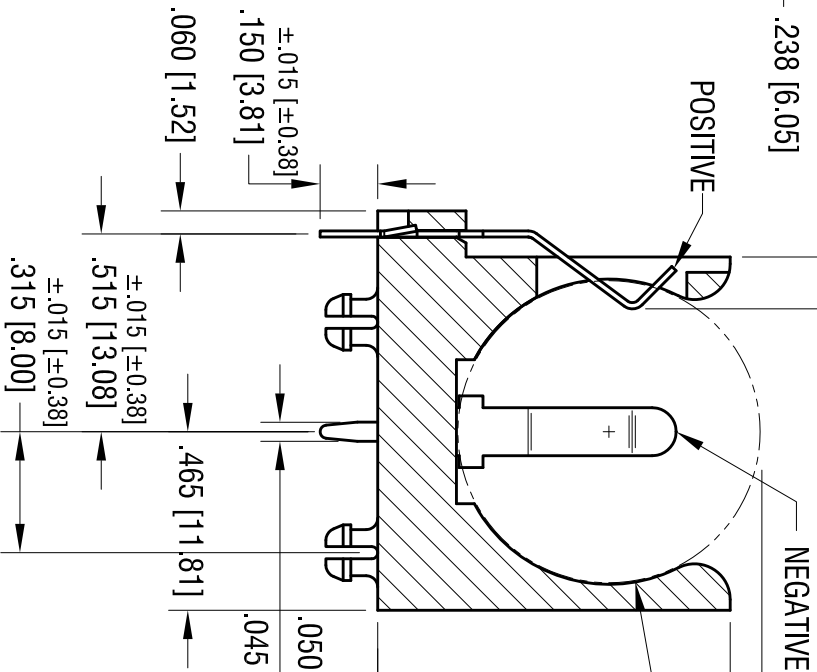
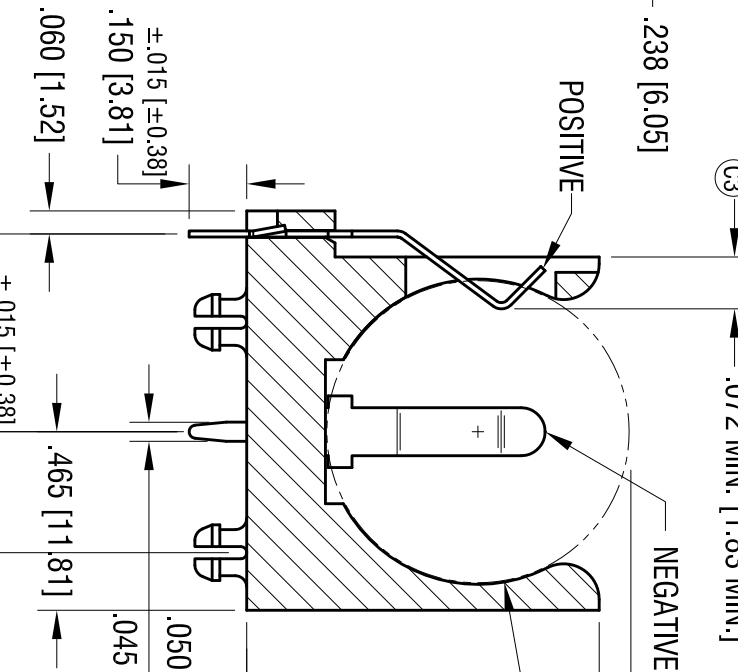
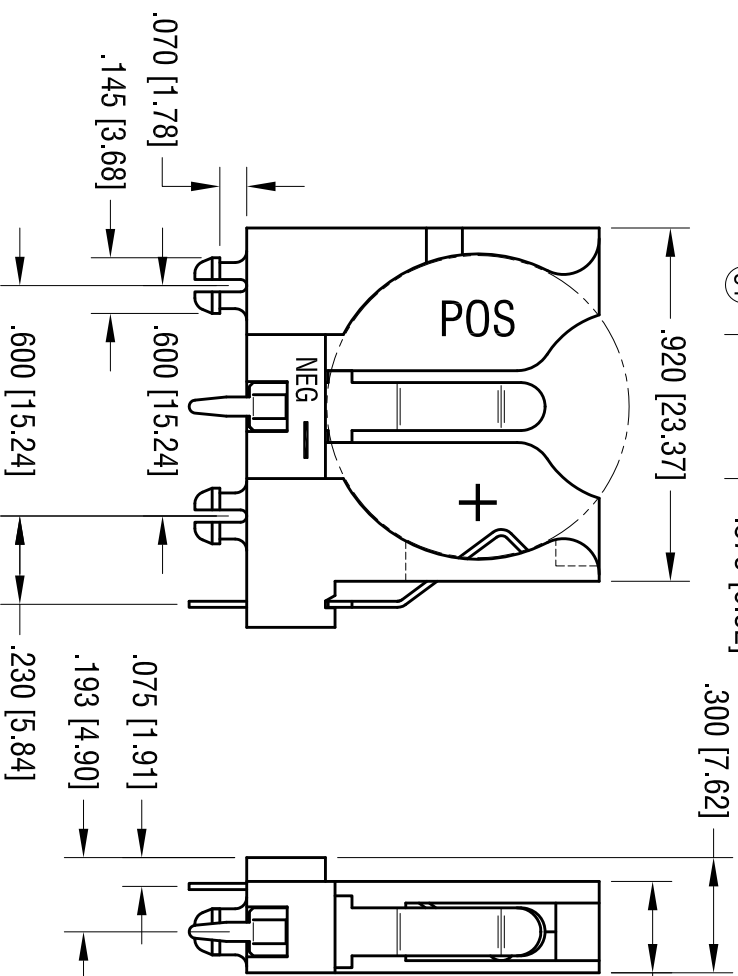


TOLERANCE: ±.005 [±0.15] UNLESS OTHERWISE SPECIFIED.

DATE	DESCRIPTION	REV.
7.6.98	CHANGE AS PER ECR 98-038	A
4.19.12	CHANGE AS PER ECN 10-051 ADD CONTACT LOCATION DIMENSIONS	B
8.02.13	CHANGE AS PER ECN 13-063 ADD C1, C2, C3 DIMENSIONS CONTACT MTL WAS SPRING STEEL	C



ACTUAL SIZE

KEYSTONE ELECTRONICS CORP.
 www.keystone.com • ASTORIA, N.Y. 11105-2017 • Tel (718) 956-8900
 PART NAME
 VERTICAL 20mm COIN CELL HOLDER
 MATERIAL
 AS NOTED

FINISH
 AS NOTED
 DRN BY
 BOONE
 DATE
 5.6.98
 App'D
 LN
 SCALE
 2X

TOLERANCES
 INCH [MM]
 DECIMAL ± .010 [± 0.25]
 ANGULAR ± 1°
 CODE
 C
 DWG NO.
 1065

- NOTES:
 1. BASE:
 MAT'L - PBT (UL 94V-0) BLACK
 CONTACTS:
 MAT'L - .016 [0.40] THK STAINLESS STEEL
 FINISH - TIN NICKEL PLATE.

THIS DOCUMENT IS THE PROPERTY OF
 KEYSTONE ELECTRONICS CORP. AND
 SHALL NOT BE REPRODUCED, DISTRIBUTED
 OR USED AS A BASIS FOR MANUFACTURE
 WITHOUT PRIOR WRITTEN PERMISSION
 FROM KEYSTONE ELECTRONICS CORP.