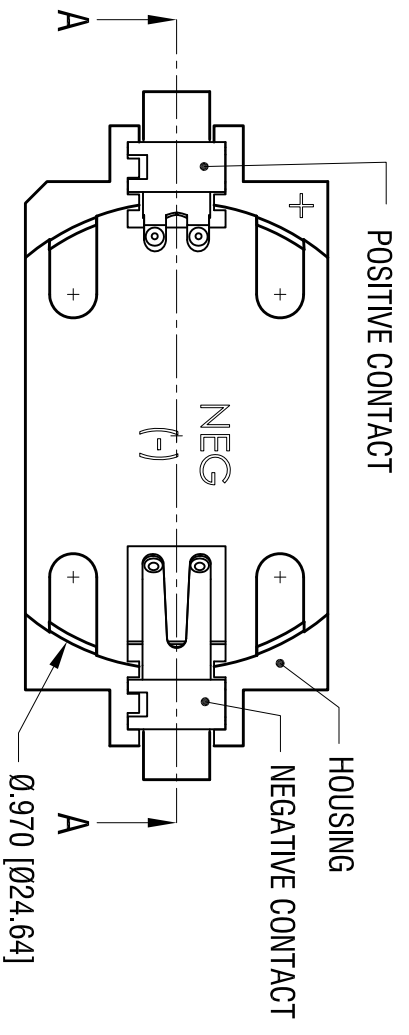
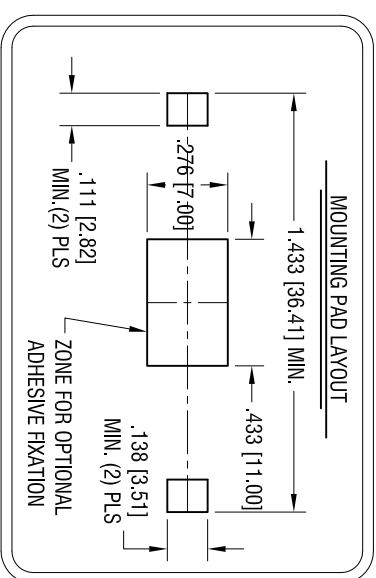
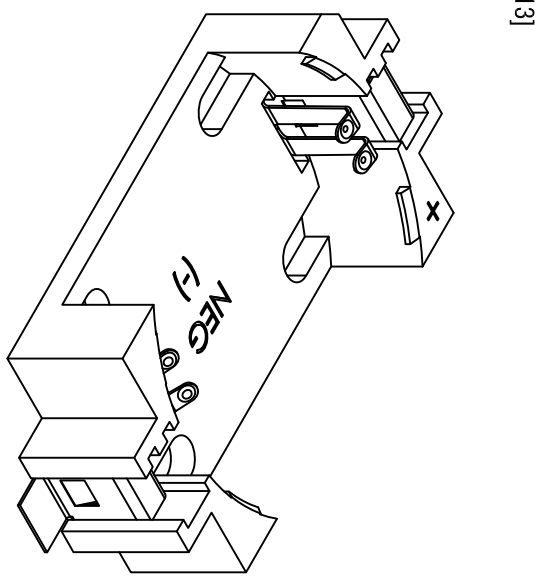
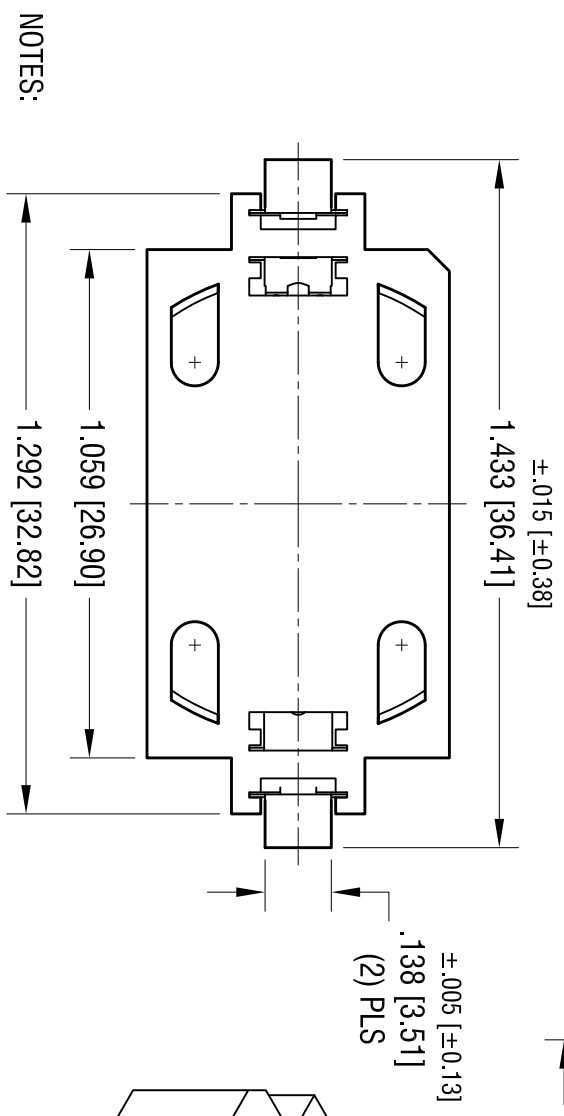
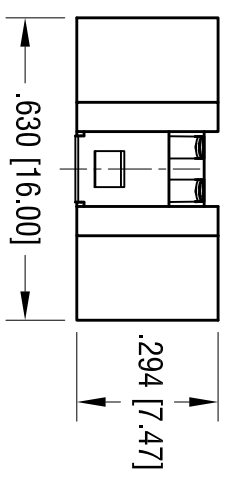
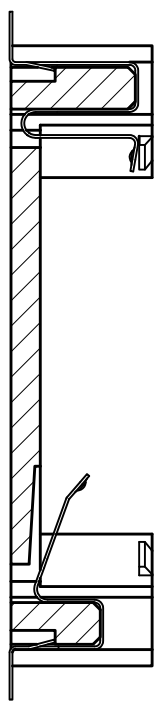


DATE	DESCRIPTION	REV.
8.12.11	CHANGE AS PER ECN 11-104	A



SECTION A-A



- NOTES:
1. BASE:
MAT'L - GLASS FILLED LCP UL 94V-0
 2. CONTACTS:
MAT'L - .006 [0.15] THK PHOSPHOR BRONZE
FINISH: GOLD FLASH PLATING

KEYSTONE ELECTRONICS CORP.			
www.keystec.com • ASTORIA, N.Y. 11105-2017 • Tel (718) 956-8900			
PART NAME 2450 SMT BATTERY HOLDER			
MATERIAL AS NOTED			
FINISH AS NOTED			
TOLERANCES	INCH	[MM]	CODE
DECIMAL	± .010	[± 0.25]	C
ANGULAR	± 1°		
UNLESS OTHERWISE SPECIFIED			
DRN BY	NT	DATE	12.01.10
APP'D	LN	SCALE	2X
DWG NO.		1052	

THIS DOCUMENT IS THE PROPERTY OF KEYSTONE ELECTRONICS CORP. AND SHALL NOT BE REPRODUCED, DISTRIBUTED OR USED AS A BASIS FOR MANUFACTURE WITHOUT PRIOR WRITTEN PERMISSION FROM KEYSTONE ELECTRONICS CORP.