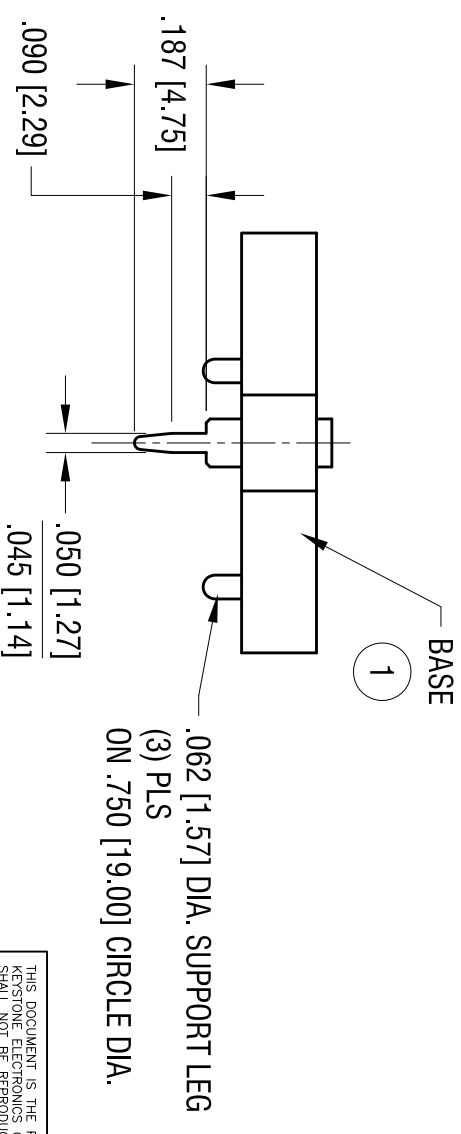
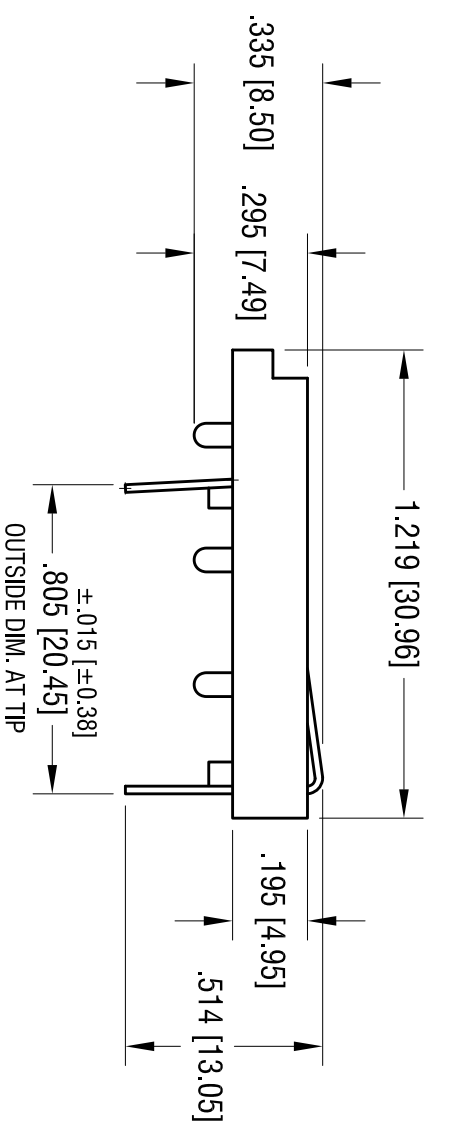
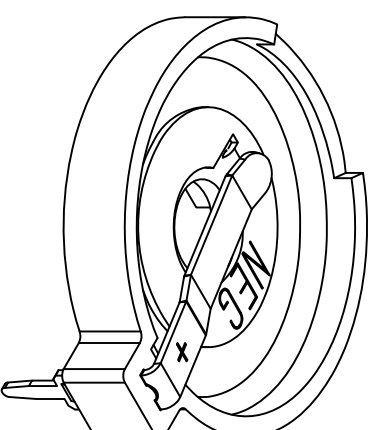
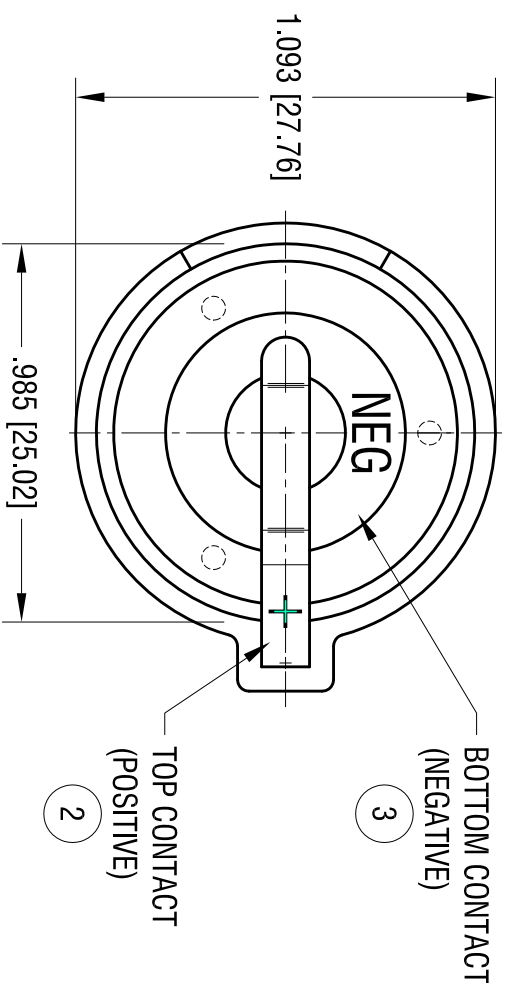


DATE	DESCRIPTION	REV.
9.20.04	CHANGE AS PER ECN 04-112	E
11.2.11	CHANGE AS PER ECN 11-143	F



THIS DOCUMENT IS THE PROPERTY OF  
KEYSTONE ELECTRONICS CORP. AND  
SHALL NOT BE REPRODUCED, COPIED,  
DISTRIBUTED, OR TRANSMITTED IN ANY  
MANNER WITHOUT PRIOR WRITTEN PERMISSION  
FROM KEYSTONE ELECTRONICS CORP.

## KEYSTONE ELECTRONICS CORP.

www.keystec.com • ASTORIA, N.Y. 11105-2017 • Tel (718) 956-8900

PART NAME

COIN CELL PC BATTERY HOLDER

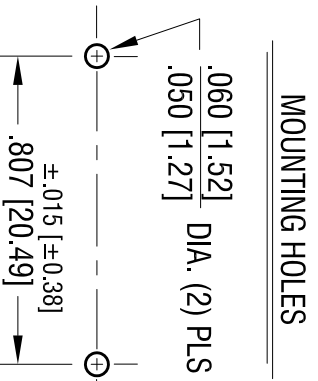
MATERIAL

AS NOTED

FINISH

AS NOTED

TOLERANCES	INCH	[MM]	CODE	DWG NO.
DECIMAL	± .010	[± 0.25]	C	105
ANGULAR	± 1°			
UNLESS OTHERWISE SPECIFIED				



### MOUNTING HOLES

ITEM	DESCRIPTION	MATERIAL/FINISH
1	BASE BLACK	PBT (UL 94V-0)
2	TOP CONTACT	SPRING STEEL .020 [0.50] THK
3	BOTTOM CONTACT	TIN NICKEL PLATE