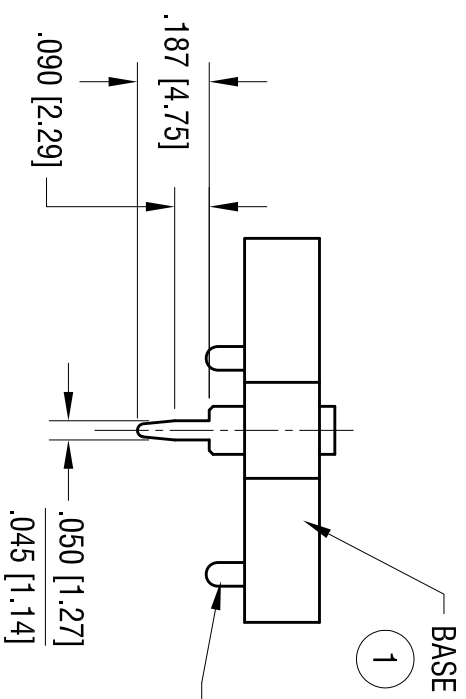
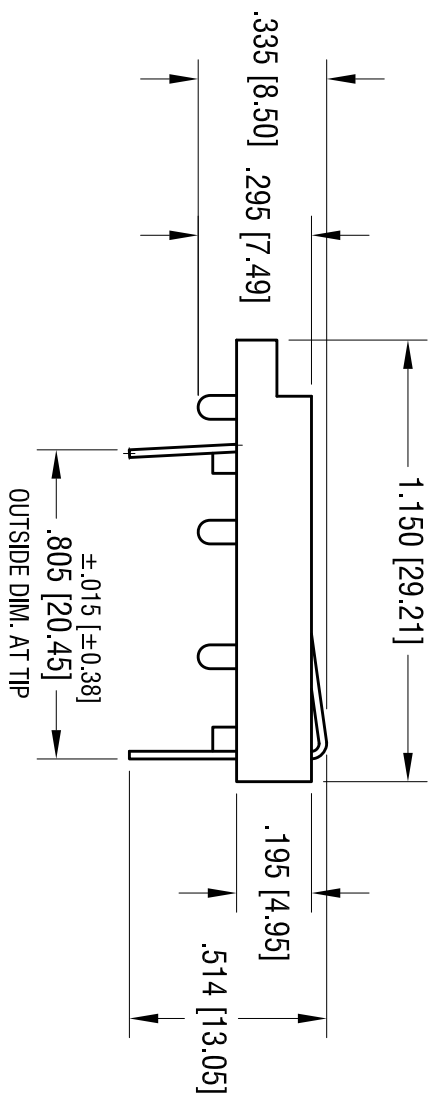
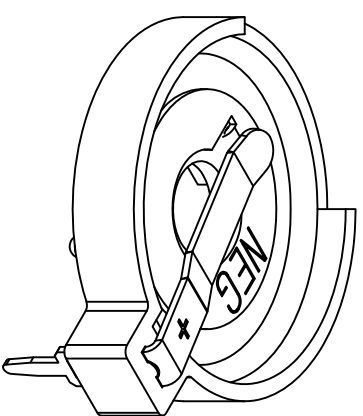
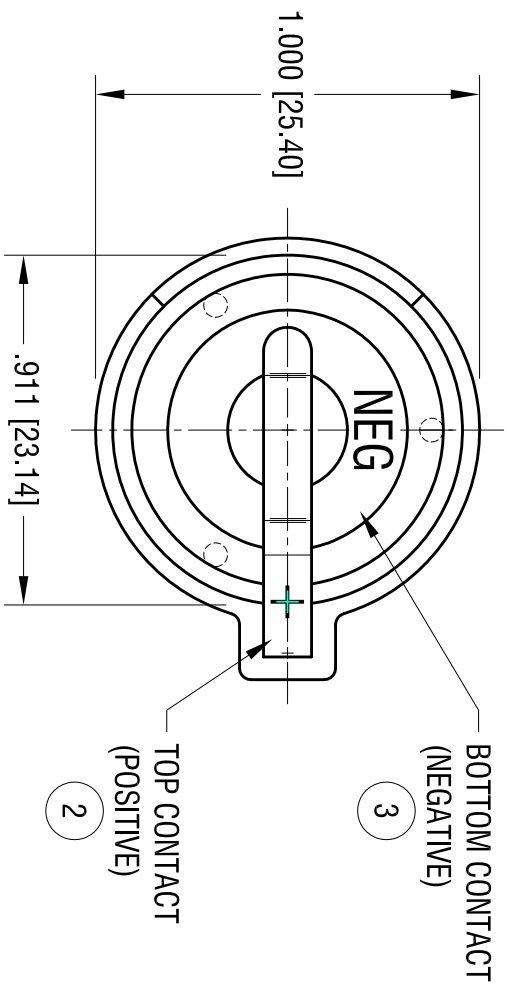


DATE	DESCRIPTION	REV.
9.20.04	CHANGE AS PER ECN 04-111	E
11.2.11	CHANGE AS PER ECN 11-143	F



THIS DOCUMENT IS THE PROPERTY OF KEystone ELECTRONICS CORP. AND IS TO BE USED AS A BASIS FOR MANUFACTURE WITHOUT PRIOR WRITTEN PERMISSION FROM KEystone ELECTRONICS CORP.

**KEYSTONE ELECTRONICS CORP.**  
 www.keystec.com • ASTORIA, N.Y. 11105-2017 • Tel (718) 956-8900

**COIN CELL PC BATTERY HOLDER**

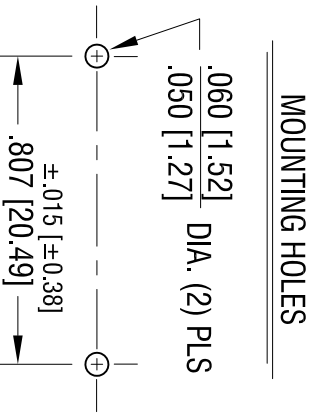
PART NAME: COIN CELL PC BATTERY HOLDER  
 MATERIAL: AS NOTED

FINISH: AS NOTED  
 DRN BY: BOONE DATE: 5.6.94

APPD: LN SCALE: 2X

TOLERANCES: INCH [MM] CODE: C DWG NO.: 104  
 DECIMAL ± .010 [± 0.25]  
 ANGULAR ± 1°

ITEM	DESCRIPTION	MATERIAL/FINISH
1	BASE BLACK	PBT (UL 94V-0)
2	TOP CONTACT	SPRING STEEL .020 [0.50] THK
3	BOTTOM CONTACT	TIN NICKEL PLATE



MOUNTING HOLES