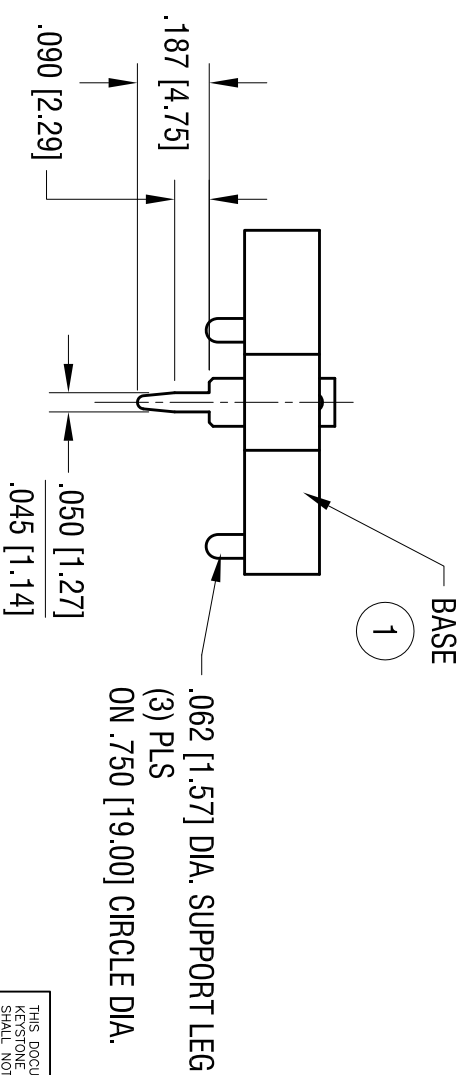
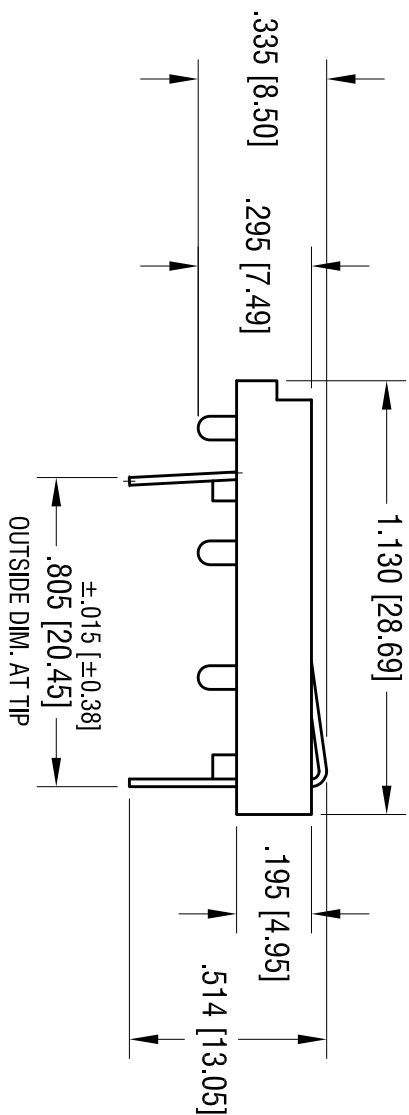
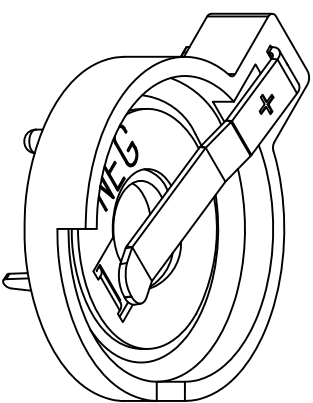
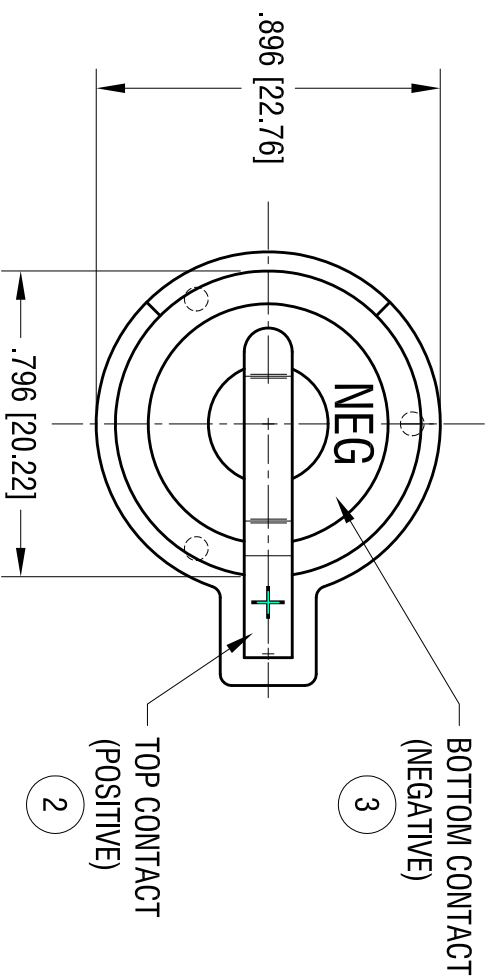


DATE	DESCRIPTION	REV.
9.20.04	CHANGE AS PER ECN 04-110	F
11.2.11	CHANGE AS PER ECN 11-142	G



THIS DOCUMENT IS THE PROPERTY OF KEYSTONE ELECTRONICS CORP. AND SHALL NOT BE REPRODUCED, DISTRIBUTED OR USED IN ANY MANNER WITHOUT PRIOR WRITTEN PERMISSION FROM KEYSTONE ELECTRONICS CORP.

**KEYSTONE ELECTRONICS CORP.**

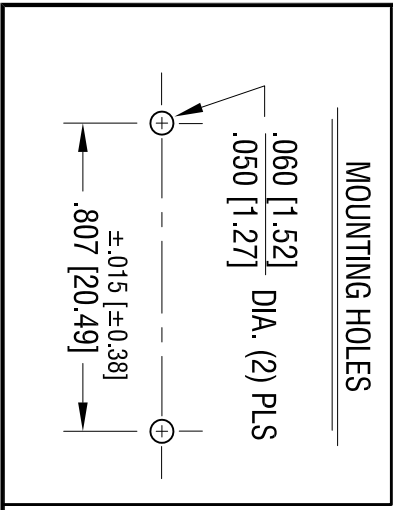
www.keystec.com • ASTORIA, N.Y. 11105-2017 • Tel (718) 956-8900

PART NAME  
**COIN CELL PC BATTERY HOLDER**

MATERIAL  
**AS NOTED**

FINISH  
**AS NOTED**

TOLERANCES	INCH	[MM]	CODE	DWG NO.
DECIMAL	± .010	[± 0.25]	C	<b>103</b>
ANGULAR	± 1°			



ITEM	DESCRIPTION	MATERIAL/FINISH
1	BASE BLACK	PBT (UL 94V-0)
2	TOP CONTACT	SPRING STEEL .020 [0.50] THK
3	BOTTOM CONTACT	TIN NICKEL PLATE