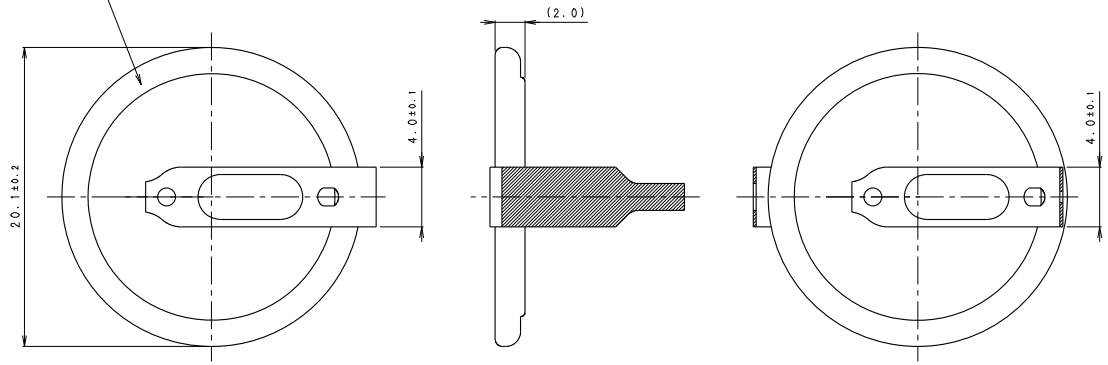
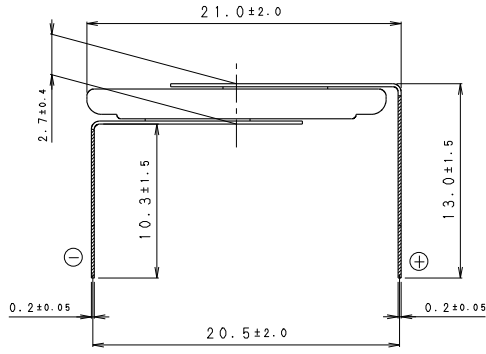
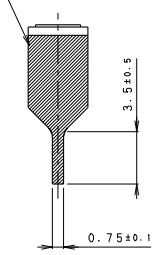


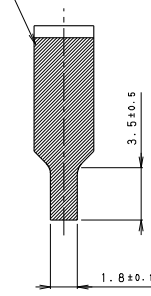
INSULATOR (BROWN)
[絶縁子「ブラウン」(茶色)]



TIN PLATING
[Snメッキ]



TIN PLATING
[Snメッキ]



*NOTE [注記]

1. TAB PULLING STRENGTH OVER 19.6N [端子引抜強度: 19.6N以上]
2. TAB MATERIAL: STAINLESS STEEL WITH TIN PLATING [端子材料: 基材 ステンレス/表面 部分Snメッキ]
3. (): REFERENCE DIMENSION AND ANGLE [() 寸法、角度は参考値]

PRODUCT NO.	VL-2020/HMN	SCALE	4:1
DRAWING NO.	PRHF1Z	REV.	0
		UNIT	mm