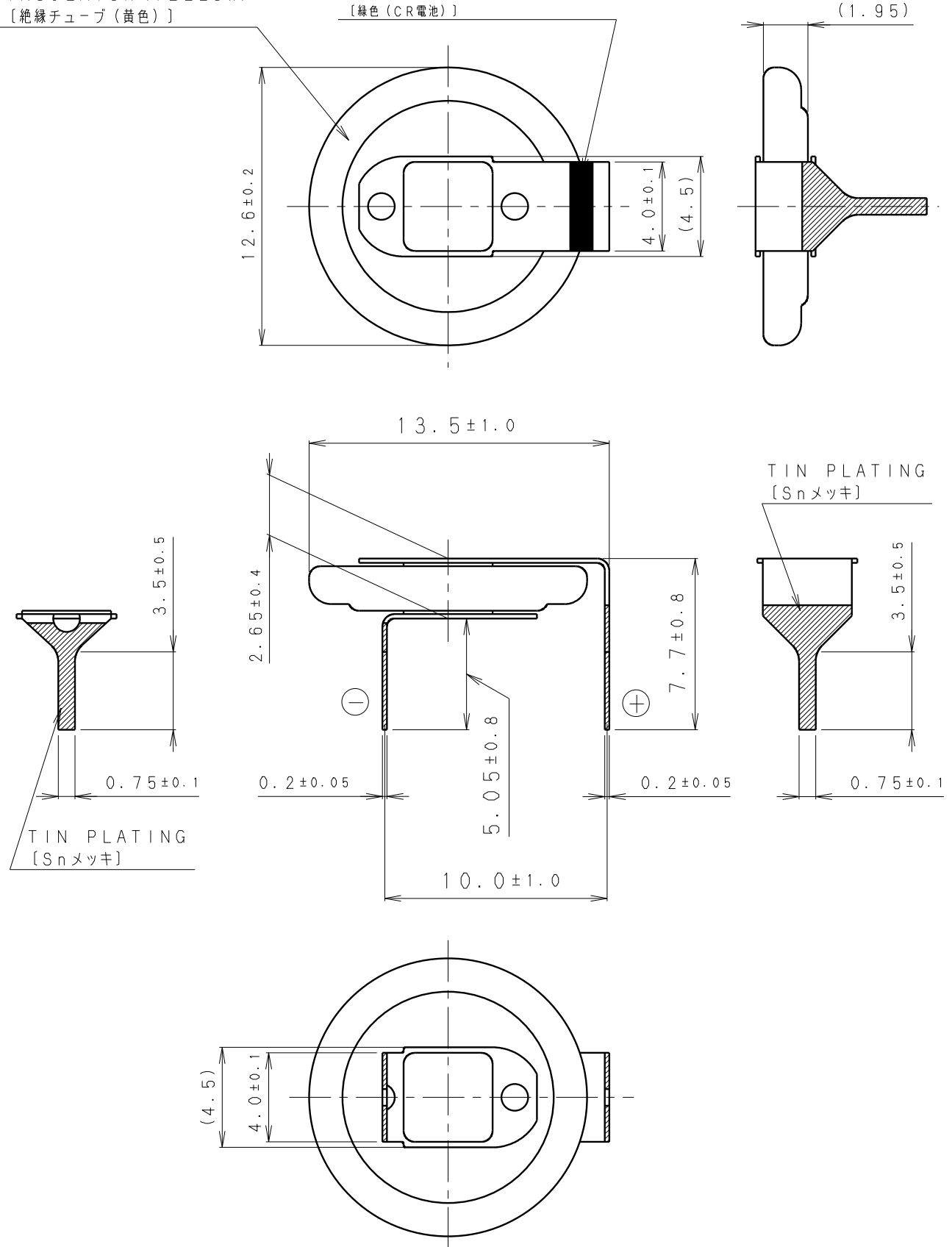


INSULATOR (YELLOW)  
[絶縁チューブ (黄色)]

MARKING (GREEN) MEANS  
"CR" BATTERY  
[緑色 (CR電池)]



\* NOTE [注記]

- TAB PULLING STRENGTH OVER 19.6N  
[端子溶接強度: 19.6N以上]
- TAB MATERIAL: STAINLESS STEEL WITH TIN PLATING [Snメッキ]  
[端子材料: 基材 ステンレス/表面 部分Snメッキ]
- ( ): REFERENCE DIMENSION AND ANGLE  
[ ( ) 寸法、角度は参考値]

PRODUCT NO.	CR-1220/HFN	SCALE	
		4:1	
DRAWING NO.	JEHA1Z	REV.	UNIT: mm
		0	