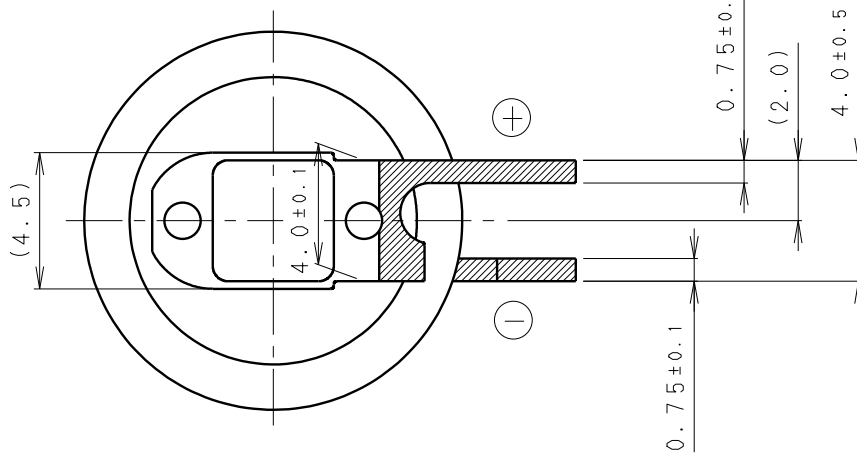
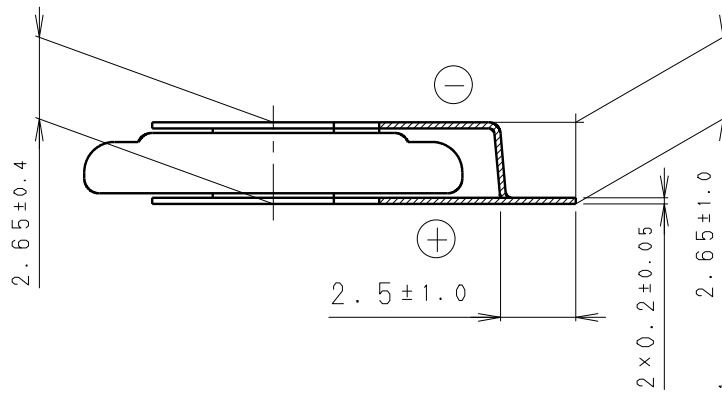
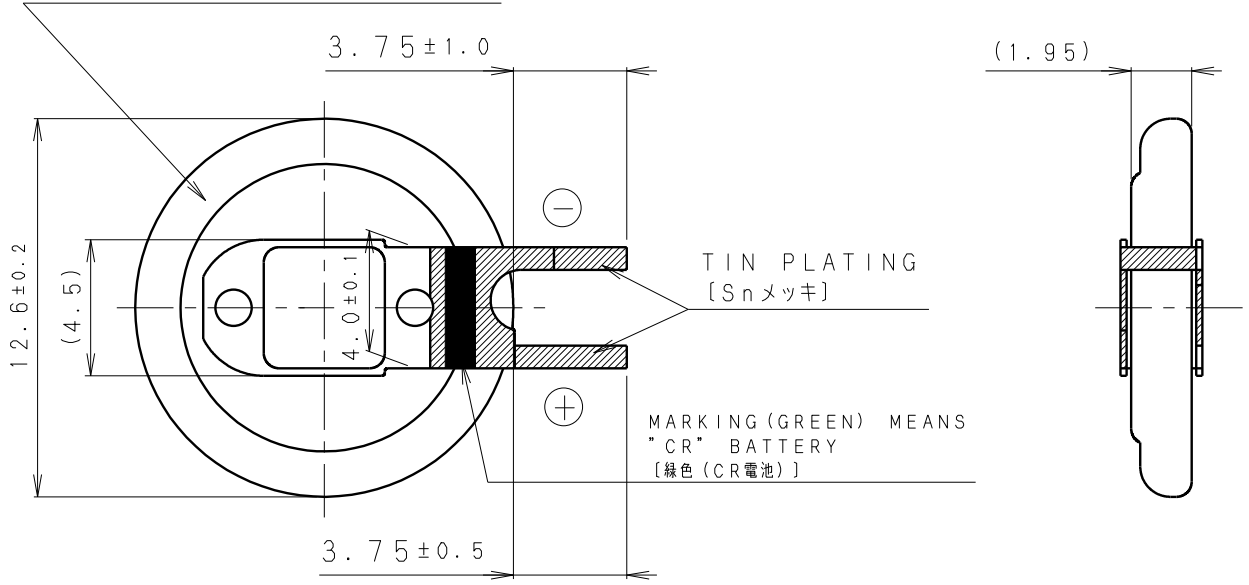


INSULATOR (YELLOW)  
[絶縁チューブ (黄色)]



\* NOTE (注記)

1. TAB PULLING STRENGTH OVER 19.6N  
[端子溶接強度: 19.6N以上]
2. TAB MATERIAL: STAINLESS STEEL WITH TIN PLATING   
[端子材料: 基材 ステンレス/表面 部分Snメッキ
3. ( ): REFERENCE DIMENSION AND ANGLE  
[ ( ) 寸法、角度は参考値]

|             |             |       |  |
|-------------|-------------|-------|--|
| PRODUCT NO. | CR-1220/FCN | SCALE |  |
|             |             | 4:1   |  |
| DRAWING NO. | JEFA6Z      | REV.  |  |
|             |             | 0     |  |