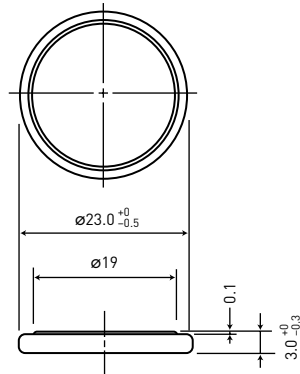


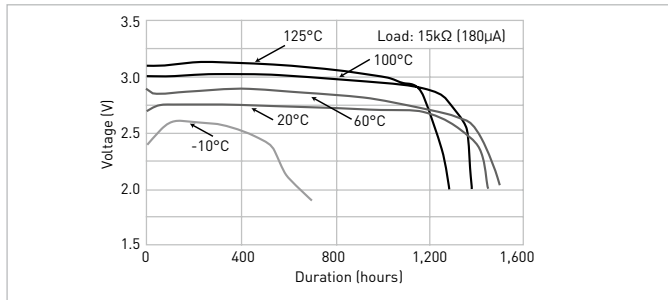
BR-2330A

DIMENSIONS (MM)

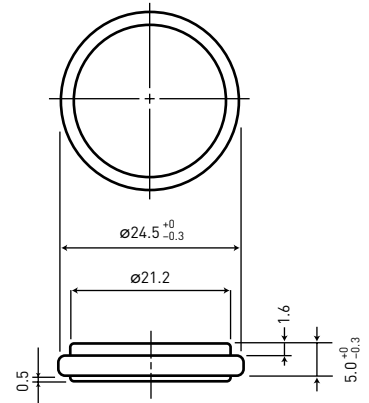


Model number	BR-2330A
Nominal voltage (V)	3
Nominal capacity (mAh)	255
Diameter (mm)	23.0
Total height (mm)	3.0
Discharging temperature range (°C)	-40 to +125
Weight (g)	3.2

DISCHARGE TEMPERATURE CHARACTERISTICS



BR-2450A



Model number	BR-2450A
Nominal voltage (V)	3
Nominal capacity (mAh)	550
Diameter (mm)	24.5
Total height (mm)	5.0
Discharging temperature range (°C)	-40 to +125
Weight (g)	5.9

DISCHARGE TEMPERATURE CHARACTERISTICS

