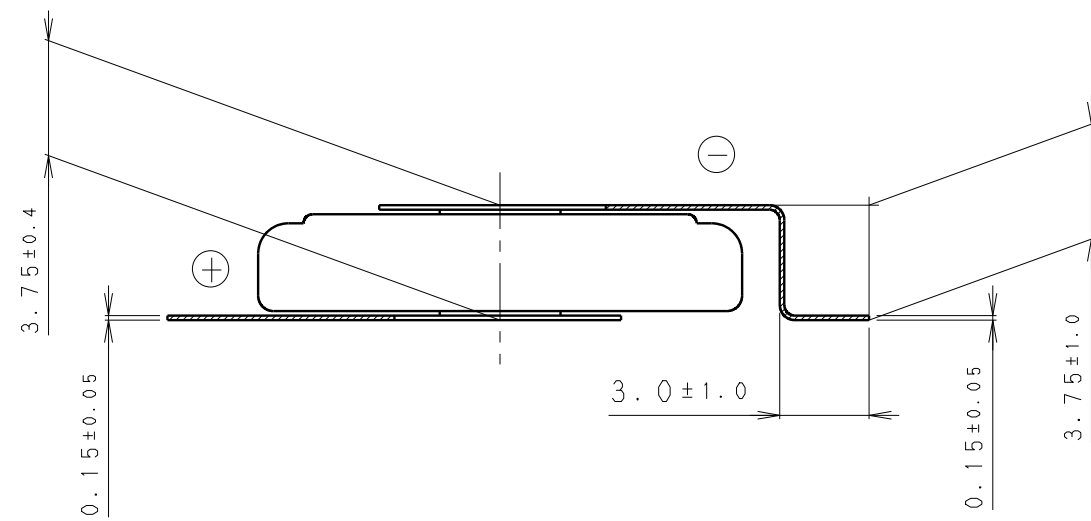
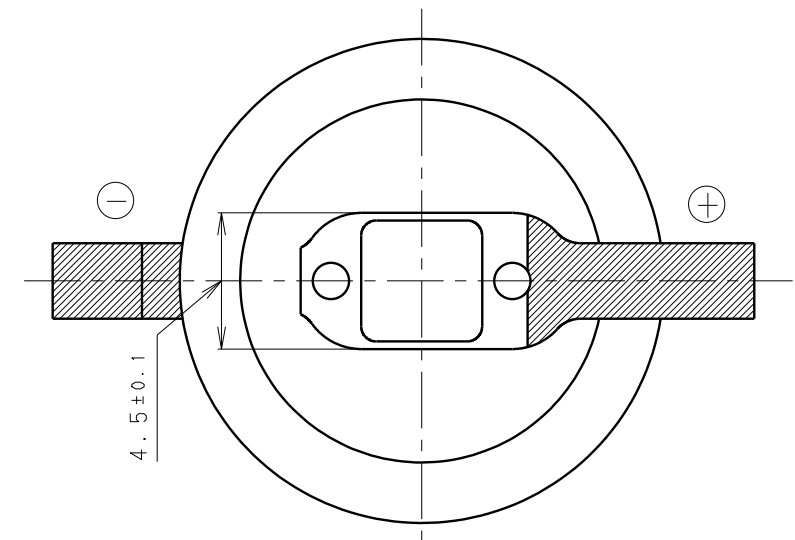
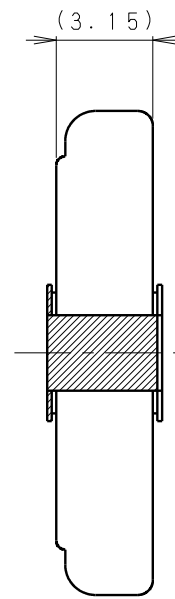
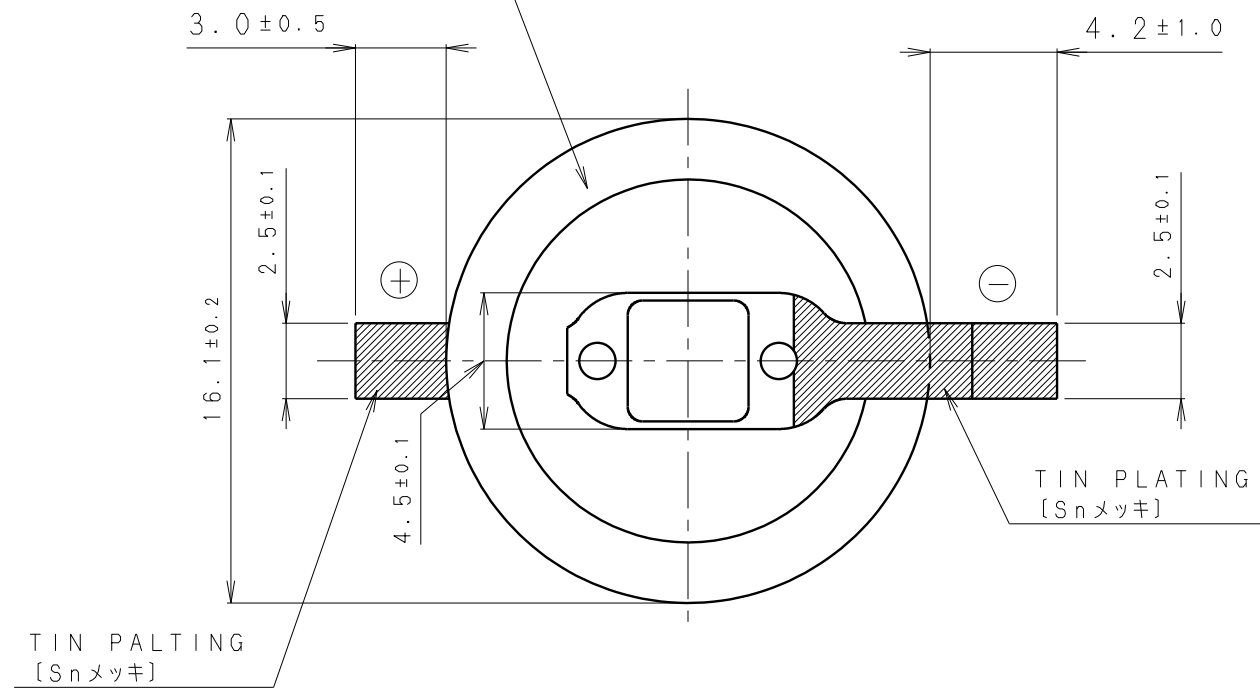


INSULATOR (FRESH GREEN)  
 [絶縁チューブ (フレッシュグリーン色)]



\* NOTE [注記]

1. TAB PULLING STRENGTH OVER 14.7N [端子溶接強度: 14.7N以上]
2. TAB MATERIAL: STAINLESS STEEL WITH TIN PLATING [端子材料: 基材 ステンレス/表面 部分Snメッキ]
3. ( ): REFERENCE DIMENSION AND ANGLE [ ( ) 寸法、角度は参考値]

PRODUCT NO.	BR-1632A/FAN	SCALE	
		4:1	
DRAWING NO.	MMFA6Z	REV.	UNIT:mm
		0	