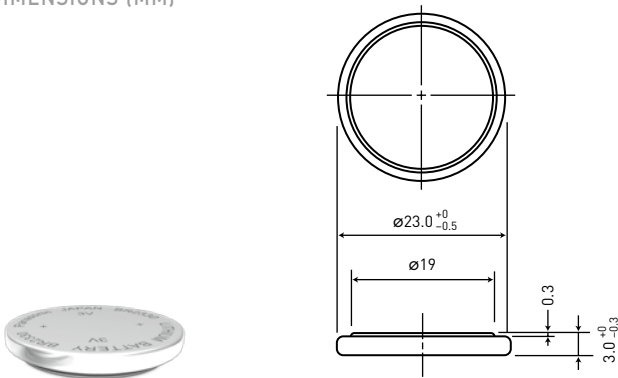


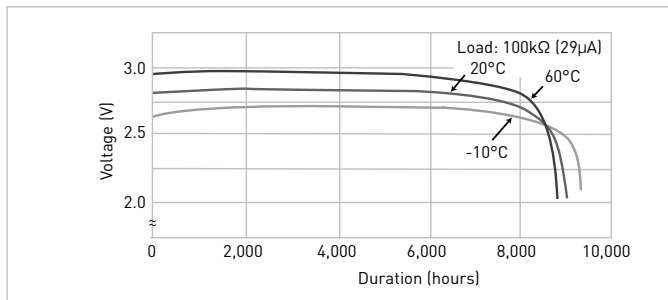
BR-2330

DIMENSIONS (MM)

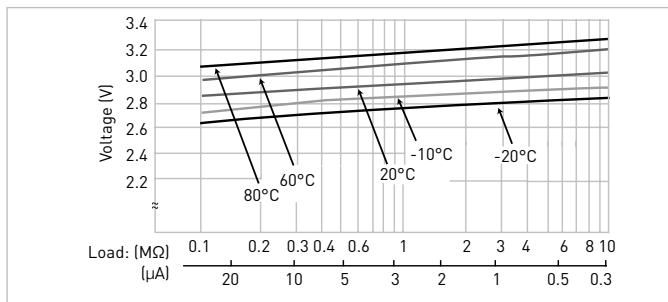


Model number	BR-2330
Nominal voltage (V)	3
Nominal capacity (mAh)	255
Diameter (mm)	23.0
Total height (mm)	3.0
Discharging temperature range (°C)	-30 to +80
Weight (g)	3.2

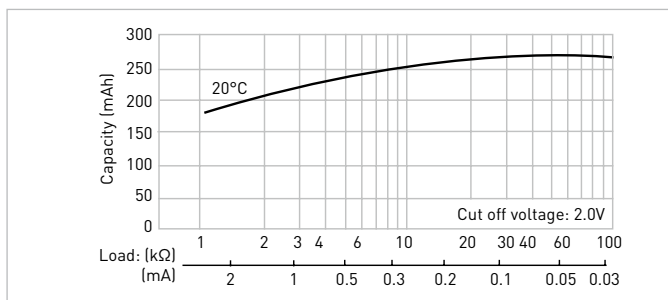
DISCHARGE TEMPERATURE CHARACTERISTICS



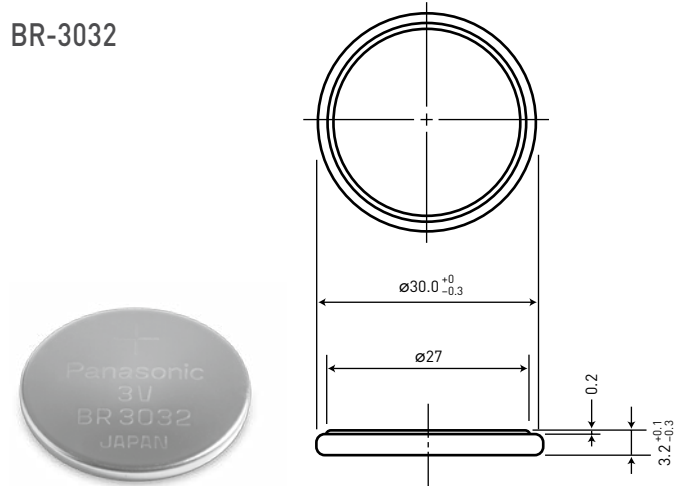
OPERATING VOLTAGE VS. DISCHARGE CURRENT*1



CAPACITY VS. LOAD RESISTANCE

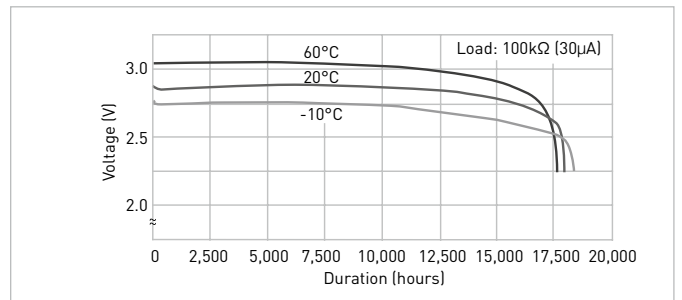


BR-3032

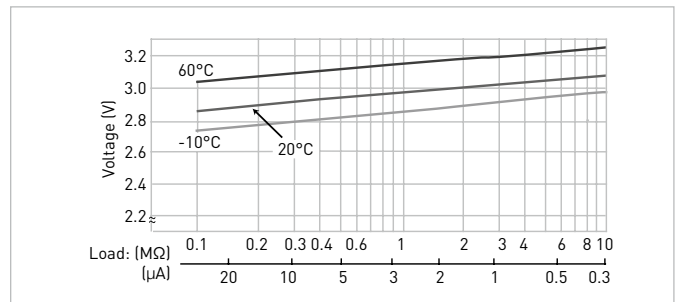


Model number	BR-3032
Nominal voltage (V)	3
Nominal capacity (mAh)	500
Diameter (mm)	30.0
Total height (mm)	3.2
Discharging temperature range (°C)	-30 to +80
Weight (g)	5.5

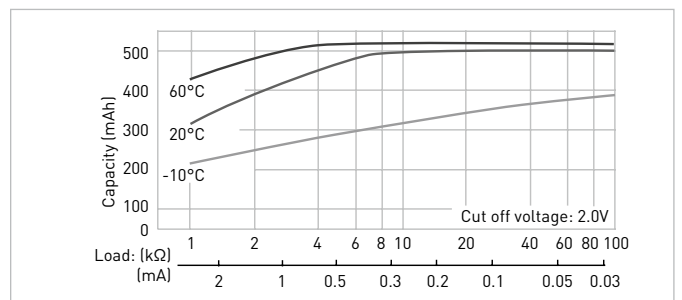
DISCHARGE TEMPERATURE CHARACTERISTICS



OPERATING VOLTAGE VS. DISCHARGE CURRENT*1



CAPACITY VS. LOAD RESISTANCE



The data in this document are for descriptive purposes only and are not intended to make or imply any guarantee or warranty.

*1 Voltage at 50% discharge depth.