

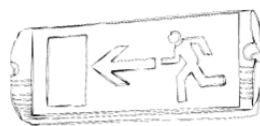
Product features

- Maintenance free battery, no need for watering
- Specific environmentally friendly formation process
- Spill & leak proof construction
- Analytical grade electrolyte
- Safety valves
- Container and lid made from ABS (UL 94 V-0 version available on request)
- Low self-discharge
- Non dangerous good according to FAA and IATA classification
- Complies with the following standards: IEC 60896-21/22, EUROBAT
- Tested by Det Norske Veritas / Germanischer Lloyd



Specification

Nominal voltage	12 V
Nominal capacity	44 Ah
Design life	12 years
Operating temperature	-20°C to 50°C (-4°F to 122°F)
Grid alloy	Lead-calcium-tin
Electrode design	Flat grid, pasted
Separator	Absorbent Glass Mat (AGM)
Active material	High purity lead and lead dioxide
Container and lid	ABS UL 94 HB (V-0 version on request)
Charge voltage	Float charging: 2.275 Vpc @ 20°C (68°F) Cyclic use: see instruction for use
	Maximum ripple: 0.05 C (A)
Electrolyte	Purified high grade sulfuric acid
Safety valve	EPDM rubber, opening pressure 10.5 to 14 kPa (1.5 to 2 psi), closing pressure ca. 7 kPa (1 psi)
Terminal	Insert M6



CTM GmbH encourages environmental awareness. Please observe all existing guidelines for recycling/disposal of lead.

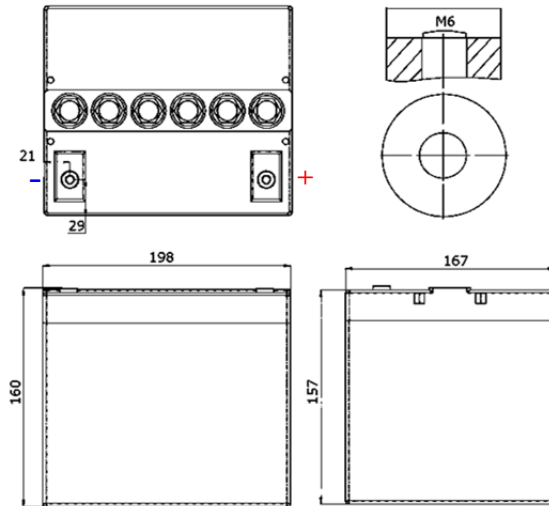
Physical Data

Dimension (±2 mm/± 0.08 inch)

Length	198 mm	7.8 inches
Width	167 mm	6.57 inches
Height	157 mm	6.18 inches
Height incl. terminal	160 mm	6.3 inches
Weight	13.8 kg	30.5 lbs.
Terminal	Standard	Insert M6
	Option	automotive

Electrical Data

Nominal voltage	12 V	
Capacity 20°C (68°F) to 1.7 Vpc	20 h	48.6 Ah
	10 h	46.8 Ah
	5 h	42.6 Ah
	1 h	31.1 Ah
	15 min	22.8 Ah
	Internal resistance Impedance	5.2 mΩ
Temperature correction factors (C20)	40°C (104°F)	102%
	20°C (68°F)	100%
	0°C (32°F)	85%
	-15°C (5°F)	65%
Self-discharge at 20°C (68°F) - capacity after	1 month storage	98%
	3 months storage	94%
	6 months storage	86%
Short circuit current	A @ 20°C (68°F)	1400
Charging voltage	Float charging	2.27-2.30 Vpc 25-15°C (77-59°F)
	cyclic	See operating instruction



Constant current discharge – A @ 20°C (68°F)

Uf Vpc	5 min	10 min	15 min	20 min	30 min	60 min	2 h	5 h	8 h	10 h	20 h
1.85	162	104	78.4	63.9	46.6	26.8	15.3	7.3	4.9	4.0	2.0
1.80	173	111	83.7	68.2	49.8	28.6	16.4	7.8	5.2	4.3	2.2
1.75	184	118	89.1	72.6	53.0	30.4	17.4	8.3	5.5	4.5	2.3
1.70	188	121	91.0	74.2	54.2	31.1	17.8	8.5	5.7	4.6	2.4
1.65	191	122	92.2	75.1	54.8	31.5	18.0	-	-	-	-
1.60	193	123	93.1	75.8	55.4	31.8	18.2	-	-	-	-

Constant power discharge – Watt per cell @ 20°C (68°F)

Uf Vpc	5 min	10 min	15 min	20 min	30 min	60 min	2 h	5 h	8 h	10 h	20 h
1.85	309	183	138	115	90.2	54.8	31.3	14.7	9.8	8.1	4.2
1.80	330	195	148	123	96.4	58.5	33.5	15.7	10.5	8.6	4.5
1.75	351	208	157	131	103	62.3	35.6	16.7	11.2	9.2	4.8
1.70	359	212	160	134	105	63.6	36.4	17.1	11.4	9.4	4.9
1.65	364	215	163	136	106	64.5	36.8	-	-	-	-
1.60	367	217	164	137	107	65.1	37.2	-	-	-	-

Capacity – Ah @ 20°C (68°F)

Uf Vpc	2 h	3 h	5 h	8 h	10 h	20 h
1.85	30.7	33.2	36.7	39.3	40.3	41.8
1.80	32.8	35.5	39.2	42.0	43.0	44.7
1.75	34.8	37.7	41.7	44.6	45.8	47.5
1.70	35.6	38.6	42.6	45.6	46.8	48.6
1.65	36.1	39.0	-	-	-	-
1.60	36.4	39.4	-	-	-	-

