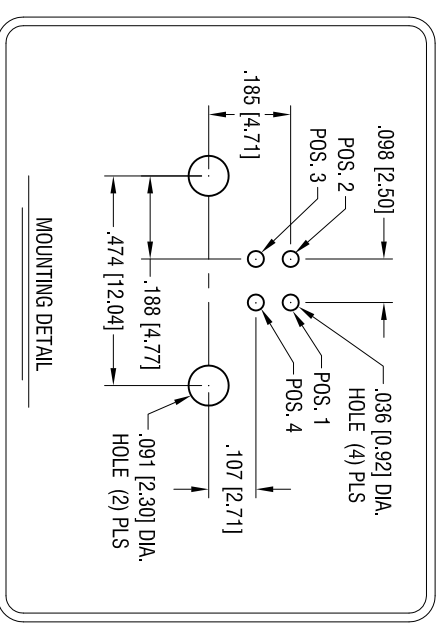
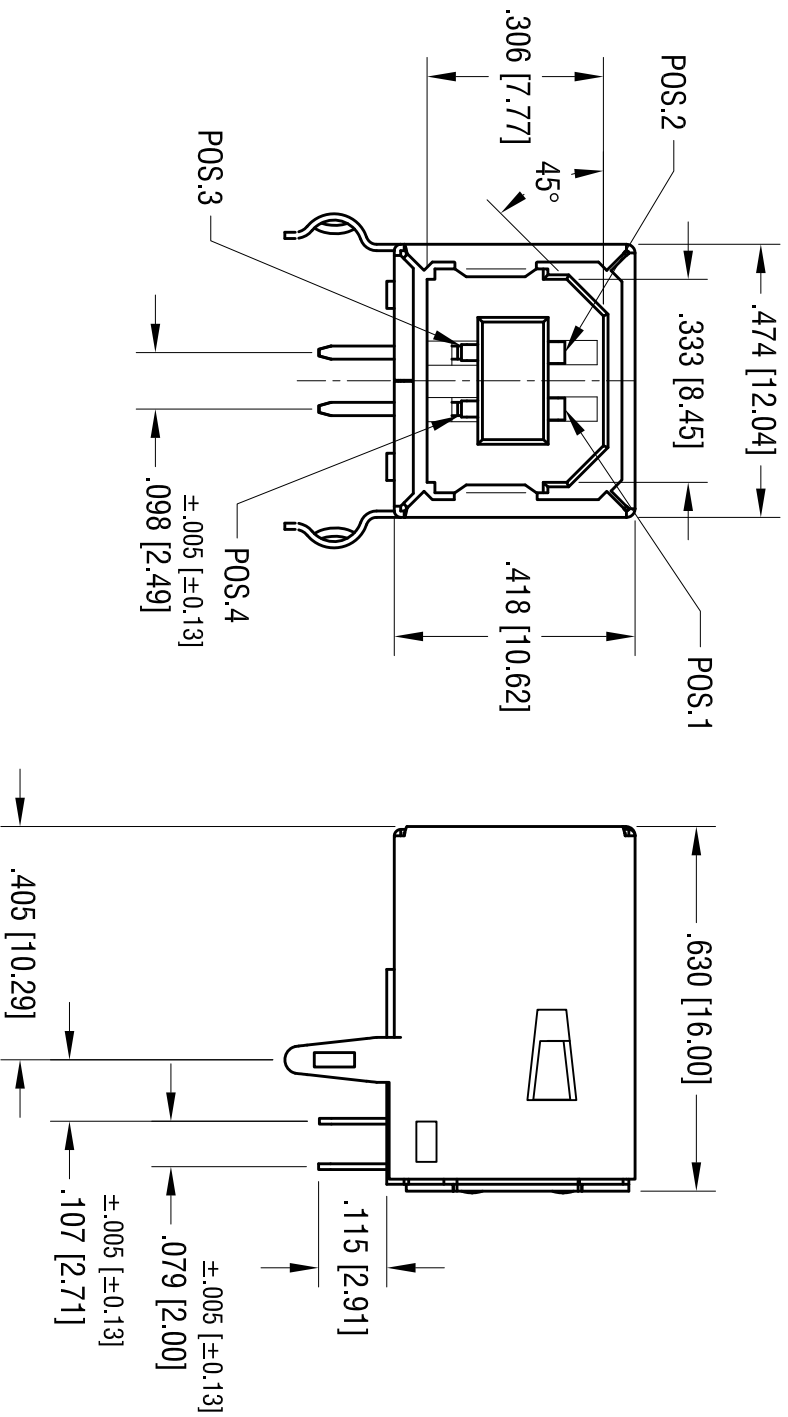


DATE	DESCRIPTION	REV.
8.17.99	CHANGE AS PER ECN 99-059	A
10.21.02	CHANGE AS PER ECN 02-069	B
6.8.05	CHANGE AS PER ECN 05-034	C
12.17.09	CHANGE AS PER ECN 09-190	D
3.10.11	CHANGE AS PER ECN 11-036	E



Notes:

Material:

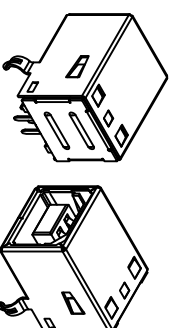
Shell: Mat'l- Phosphor Bronze
 Finish: Tin plate, over Nickel Plate
 Insulator: PBT
 Contacts: Phosphor Bronze

Finish:

Contact Area: Gold Plate over Nickel Plate
 on Solder Tail: Tin Plate over Nickel Plate

Electrical Specifications

Rated Voltage: 30V AC (rms)
 Contact Current Rating: 1 A Max.
 Contact Resistance: 30 milliohms Max.
 Dielectric Withstanding: 750V AC
 Operating Temperature: -55°C to 85°C



KEYSTONE ELECTRONICS CORP.

www.keystone.com • ASTORIA, N.Y. 11105-2017 • Tel (718) 956-8900

PART NAME

USB B-TYPE HORIZONTAL SOCKET

MATERIAL

AS NOTED

FINISH

AS NOTED

TOLERANCES	INCH	[MM]	CODE	DWG NO.
DECIMAL	± .010	[± 0.25]	C/M	
ANGULAR	± 1°			

DRN BY: BOONE DATE: 6.18.98

APP'D: LN SCALE: 3X

924

THIS DOCUMENT IS THE PROPERTY OF KEYSTONE ELECTRONICS CORP. AND SHALL NOT BE REPRODUCED, DISTRIBUTED OR USED AS A BASIS FOR MANUFACTURE WITHOUT PRIOR WRITTEN PERMISSION FROM KEYSTONE ELECTRONICS CORP.