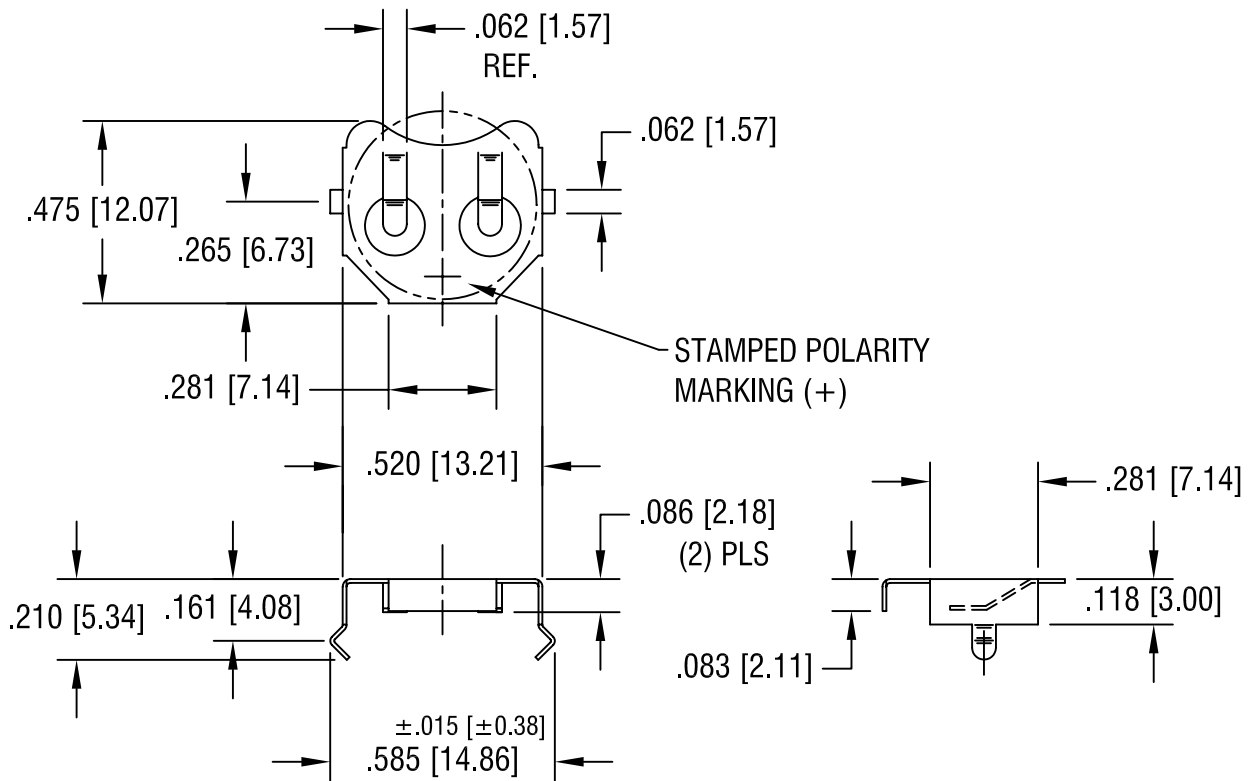
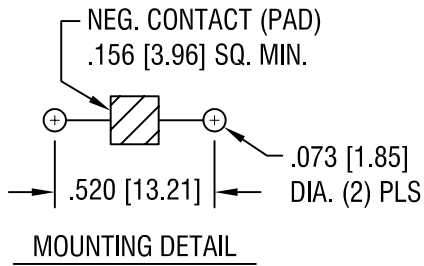


THIS DOCUMENT IS THE PROPERTY OF
KEYSTONE ELECTRONICS CORP. AND
SHALL NOT BE REPRODUCED, DISTRIBUTED
OR USED AS A BASIS FOR MANUFACTURE
WITHOUT PRIOR WRITTEN PERMISSION
FROM KEYSTONE ELECTRONICS CORP.



KEYSTONE ELECTRONICS CORP.

ASTORIA, N.Y. 11105-2017

PART NAME

12mm PC COIN CELL CLIP

MATERIAL

.010 [0.25] TH'K PHOSPHOR BRONZE

FINISH

TIN NICKEL PLATE

DRN BY

BOONE

DATE

10.14.94

APP'D

LN

SCALE

2X

9.22.06

CHANGE AS PER ECN 06-054

H

TOLERANCES

INCH [MM]

CODE

DWG NO.

DECIMAL $\pm .005 [\pm 0.15]$

C

3001

ANGULAR $\pm 1^\circ$
UNLESS OTHERWISE SPECIFIED

DATE

DESCRIPTION

REV.