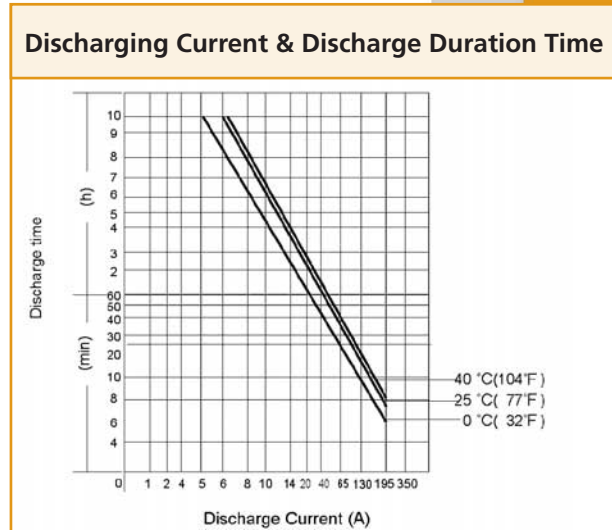
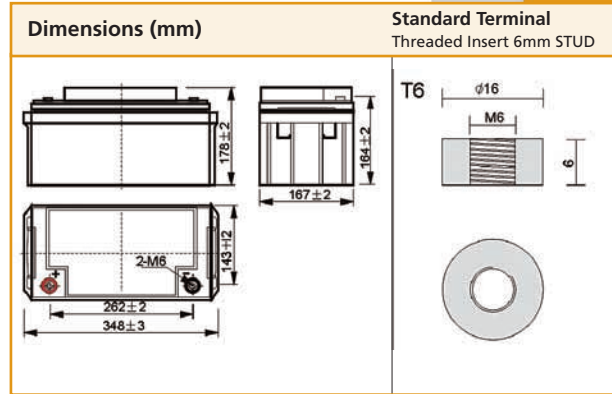


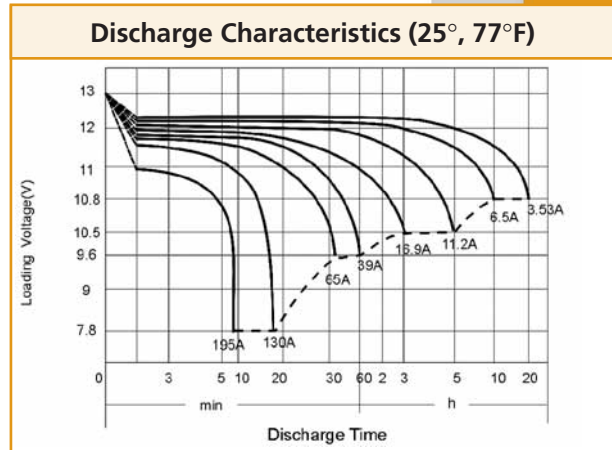


CT 65-12



Physical Specification		
Nominal Voltage	12V	
Nominal Capacity (10HR)	65AH	
Dimension	Length	348 ± 3mm (13.70 inches)
	Width	167 ± 2mm (6.57 inches)
	Container Height	178 ± 2mm (7.01 inches)
	Total Height (with Cover)	178 ± 2mm (7.01 inches)
Weight	Approx 22.2kg (48.98lbs)	
Standard Terminal	Threaded Insert 6mm STUD	

Electrical Specification			
Rated Capacity	20 hour rate (3.53 A)	70.6AH	Initial Charging Current less than 19.5A. Voltage 14.4V~15.0V at 25°C (77°F). Temp. Coefficient -30mV/°C
	10 hour rate (6.5 A)	65AH	
	5 hour rate (11.2 A)	56AH	
	3 hour rate (16.9A)	50.7AH	
	1 hour rate (39 A)	39AH	
Capacity affected by Temperature	40°C (104°F)	103%	No limit on Initial Charging Current Voltage 13.5V~13.8V at 25°C(77°F). Temp. Coefficient -20mV/°C
	25°C (77°F)	100%	
	0°C (32°F)	86%	
		Constant-Voltage Charge	Cycle
		Standby	



Constant Current (Amp) and Constant Power (Watt) Discharge Table (25°, 77°F)

Amp/Watt/Cell	Time(minute)	10	15	20	30	45	60	120	180	240	300	360	480	600	1200
	Final voltage	1.3	1.3	1.3	1.6	1.6	1.67	1.7	1.75	1.75	1.75	1.75	1.8	1.8	1.8
A		162.5	123.5	97.5	74.8	52.0	39.0	22.8	16.9	13.0	11.2	9.9	7.7	6.5	3.53
W		305.5	234.0	191.1	141.1	103.4	77.2	45.2	33.7	25.9	22.3	19.8	15.5	13.0	7.00